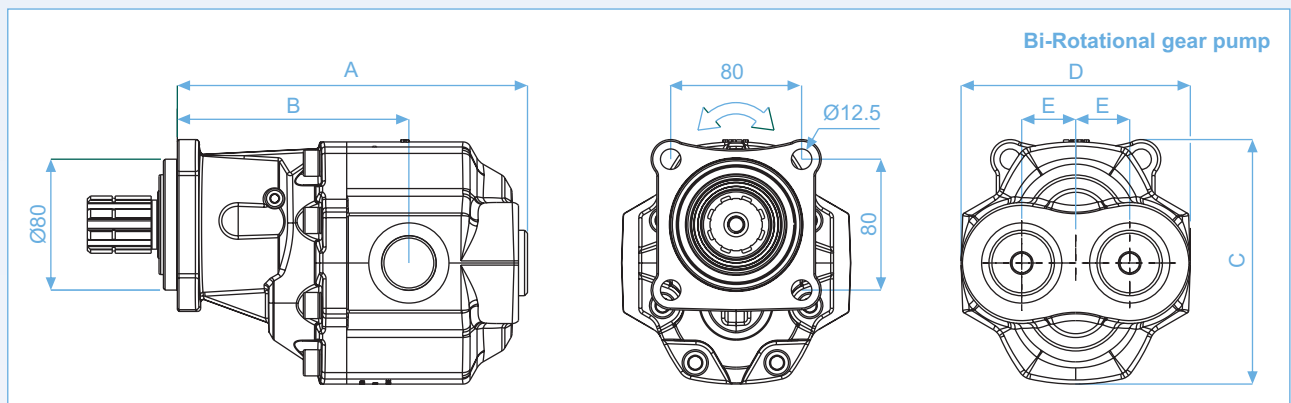


Gear pumps ISO 4H BRITE

Gear pumps ISO 4H BR series: BI-Rotational

Part no.	Description	displacement	weight	kit no.	suction side	suction adapter	press. side	press. adapter	rotation frequency	work. press.
145 62 005	Gear pump 035L-BI-4H-BR	35 cm ³	12.6 kg	CB035	G $\frac{3}{4}$ "	1 $\frac{1}{4}$ "	G $\frac{3}{4}$ "	$\frac{3}{4}$ "	2500	250 bar
145 62 010	Gear pump 052L-BI-4H-BR	52 cm ³	13.5 kg	CB052	G1"	1 $\frac{3}{4}$ "	G1"	$\frac{3}{4}$ "	2500	275 bar
145 62 015	Gear pump 061L-BI-4H-BR	61 cm ³	14.1 kg	CB061	G1"	1 $\frac{3}{4}$ "	G1"	$\frac{3}{4}$ "	2500	250 bar
145 62 020	Gear pump 073L-BI-4H-BR	73 cm ³	15.1 kg	CB073	G1"	1 $\frac{3}{4}$ "	G1"	1"	2500	225 bar
145 62 025	Gear pump 082L-BI-4H-BR	82 cm ³	16.1 kg	CB082	G1"	1 $\frac{3}{4}$ "	G1"	1"	2500	225 bar
145 62 030	Gear pump 092L-BI-4H-BR	92 cm ³	19.4 kg	CB092	G1 $\frac{1}{4}$ "	1 $\frac{3}{4}$ "	G1 $\frac{1}{4}$ "	1"	2250	265 bar
145 62 035	Gear pump 113L-BI-4H-BR	113 cm ³	20.5 kg	CB113	G1 $\frac{1}{4}$ "	1 $\frac{3}{4}$ "	G1 $\frac{1}{4}$ "	1"	2250	225 bar



Part no.	Description	A	B	C	D	E
145 62 005	Gear pump 035L-BI-4H-BR	189	131	149	128	30
145 62 010	Gear pump 052L-BI-4H-BR	200	133	149	128	30
145 62 015	Gear pump 061L-BI-4H-BR	206	139	149	128	30
145 62 020	Gear pump 073L-BI-4H-BR	214	142	149	140	33
145 62 025	Gear pump 082L-BI-4H-BR	218	147	149	140	33
145 62 030	Gear pump 092L-BI-4H-BR	236	156	166	141	33
145 62 035	Gear pump 113L-BI-4H-BR	246	166	166	141	33

